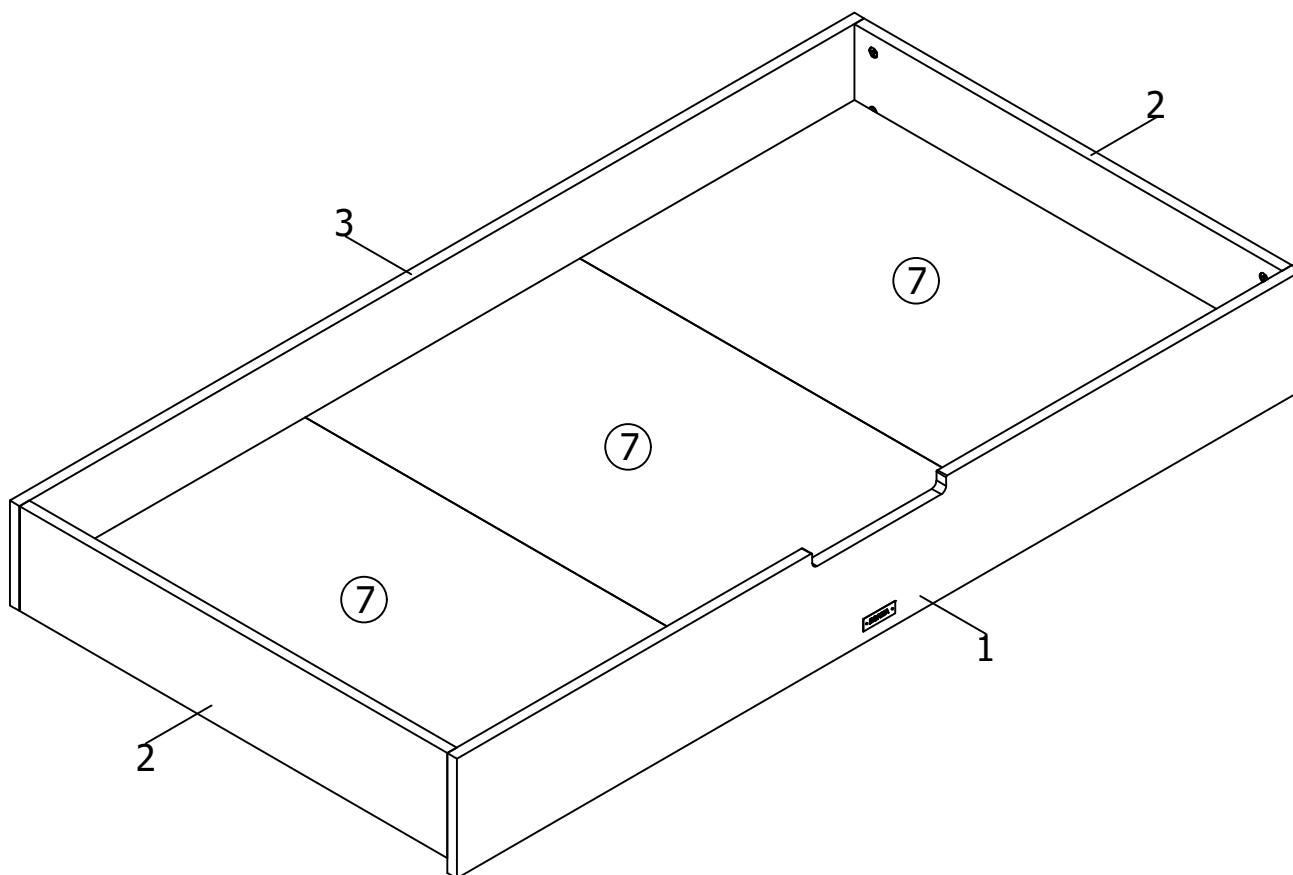


bopita®

ASSEMBLY INSTRUCTION
MONTAGE HANDLEIDING
MONTAGE ANLEITUNG
NOTICE DE MONTAGE
MANUAL DE MONTAJE

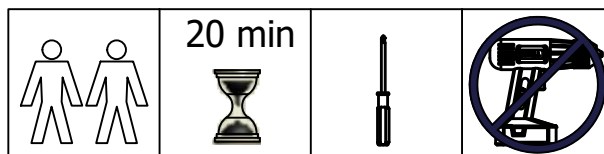
UK
NL
D
F
ESP

MODEL :DRAWER
TYPE :80X160
COLOUR :WHITE
ART.CODE :298068.11







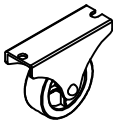

Distributor:

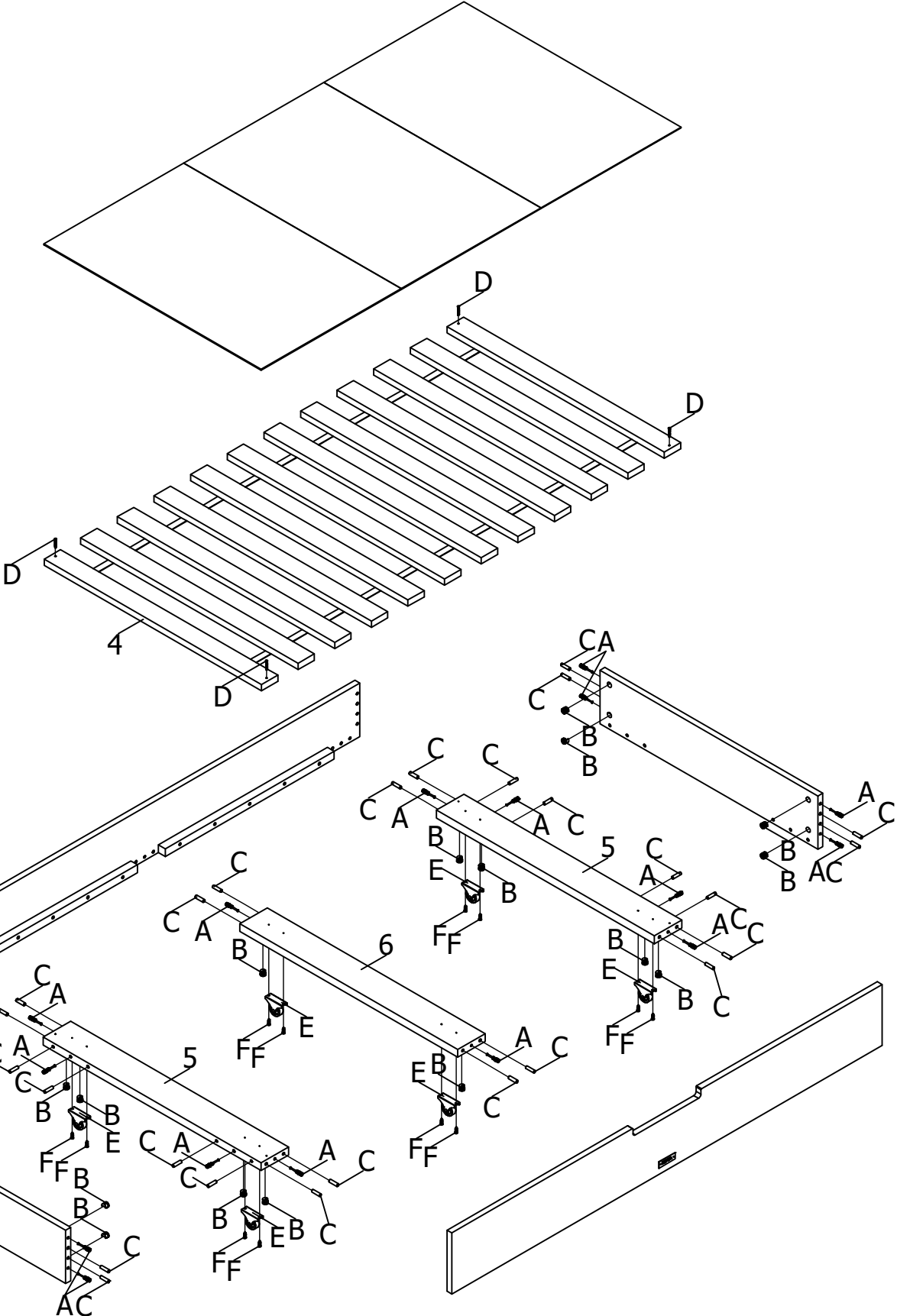
BOPITA
Energieweg 1
6662 NS Elst
The Netherlands

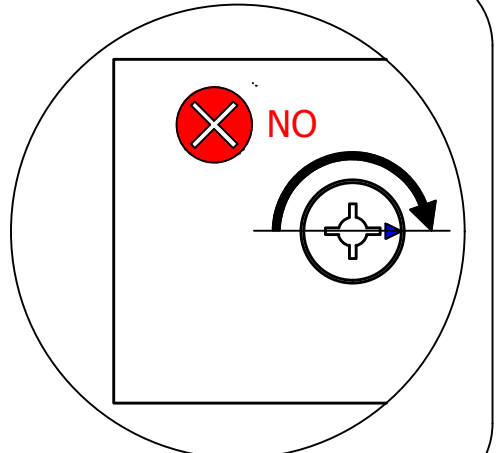
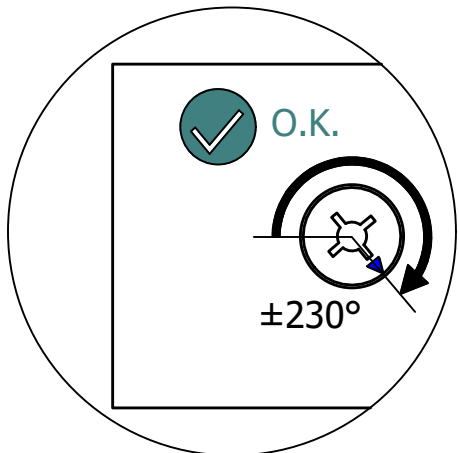
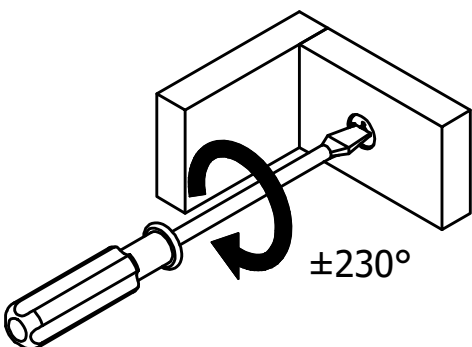
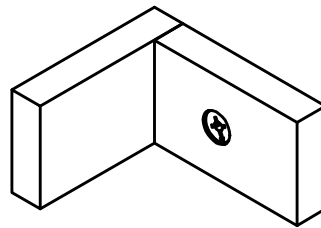
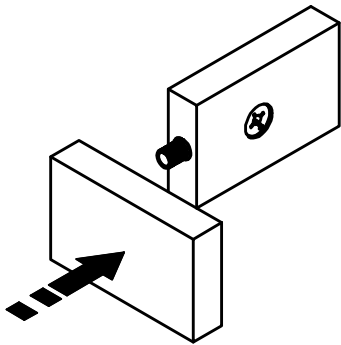
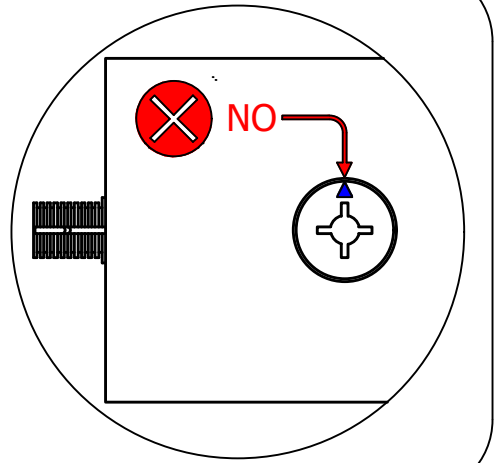
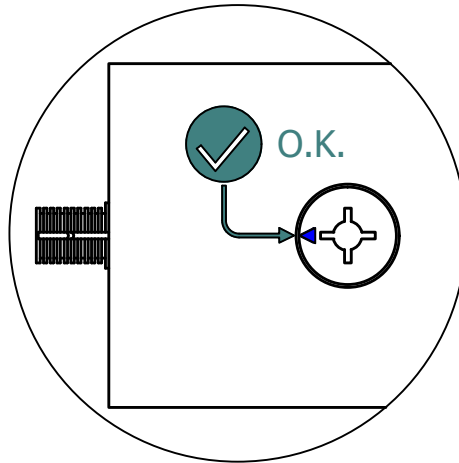
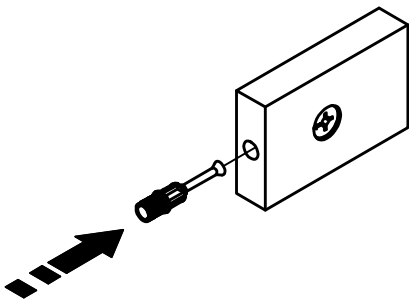
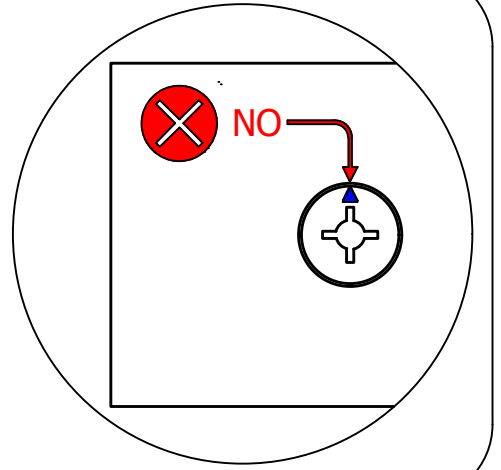
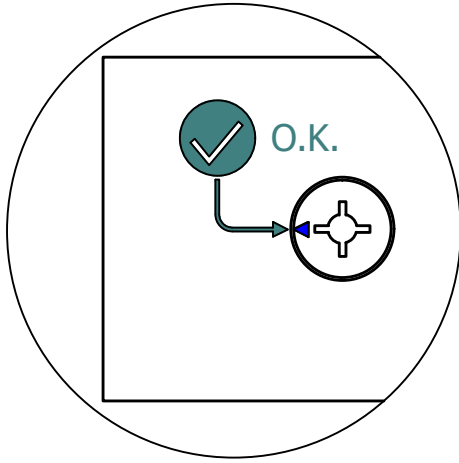
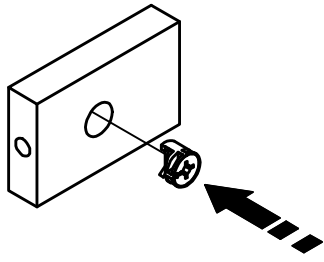


www.bopita.com

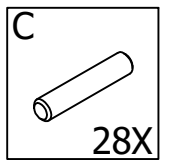
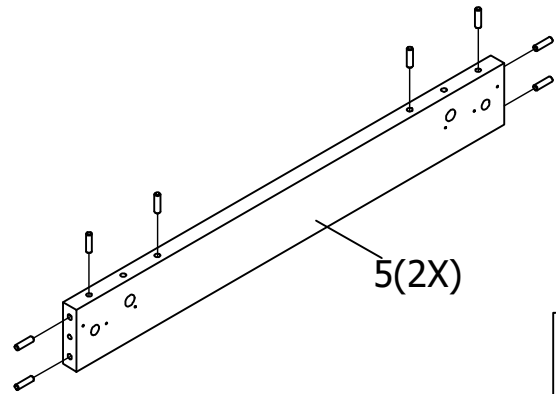
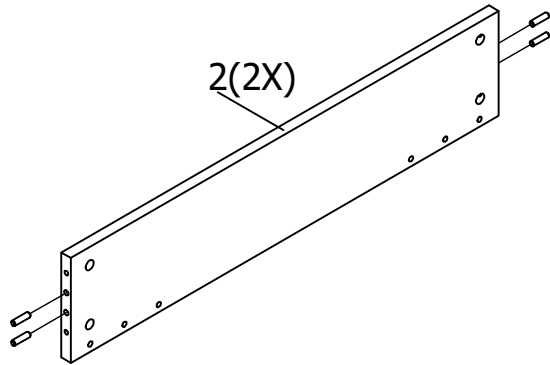
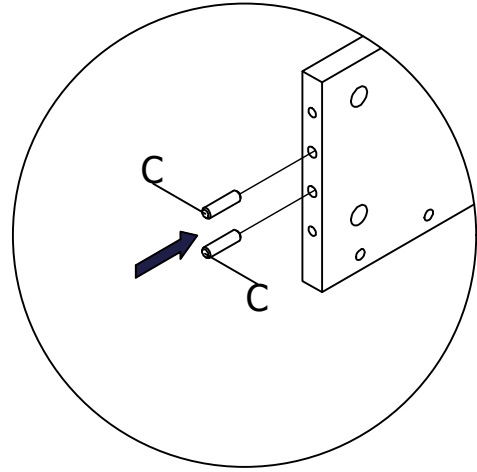
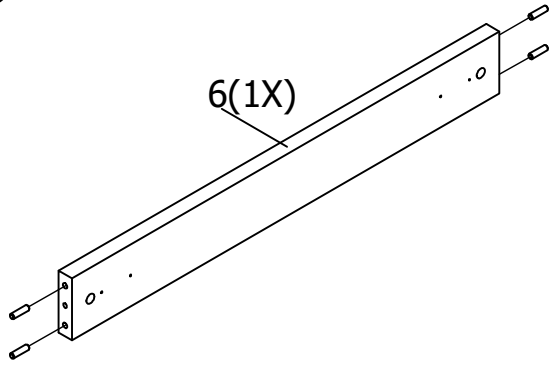
11.09.2023.

<p>A</p>  <p>18X</p>	<p>B</p>  <p>18X</p>	<p>C</p>  <p>Ø8X30</p>	<p>D</p>  <p>28X 3,5X35</p>	<p>E</p>  <p>4X</p>	<p>F</p>  <p>6X 4X16</p> <p>12X</p>
---	---	---	--	--	--





1



2

